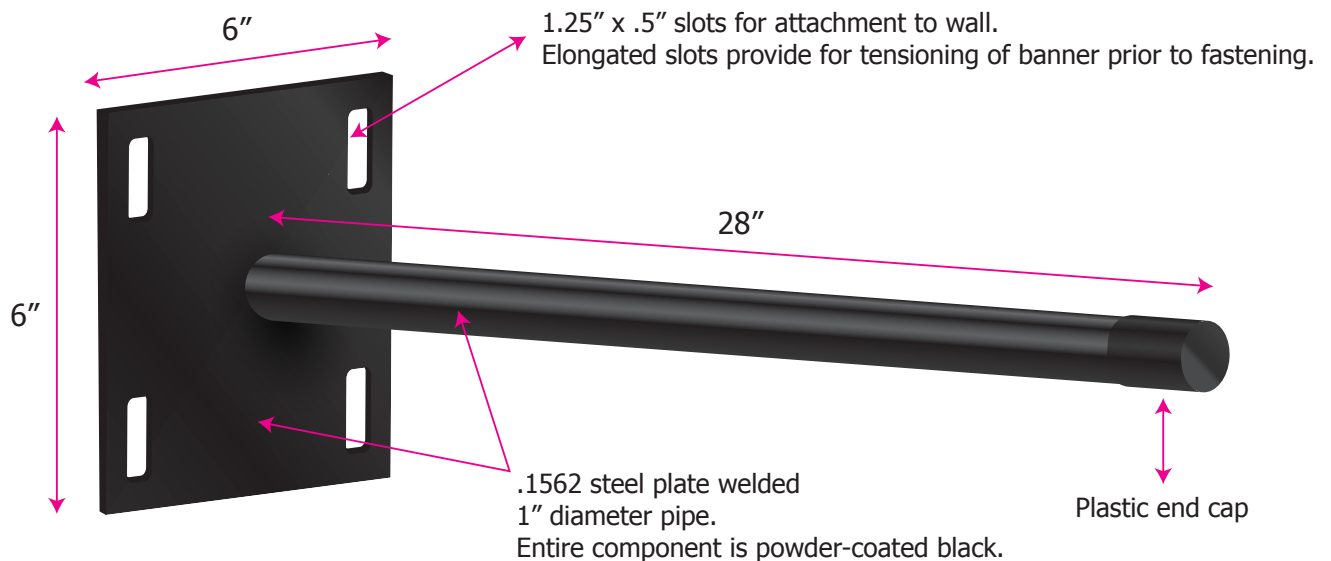
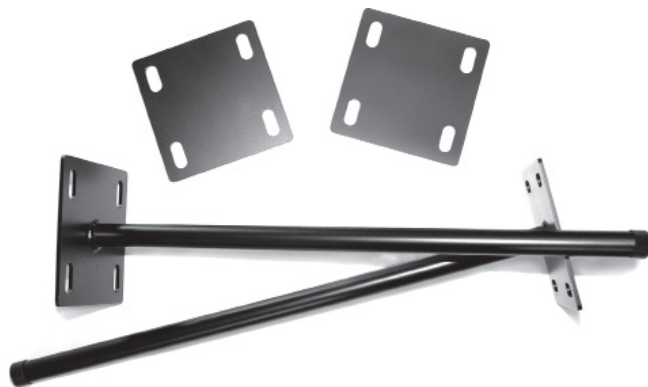


Exterior Wall-Mount Architectural Banner Hardware

Ideal for exterior graphics on buildings, wall-mount hardware affixes to the building with lag bolts (not provided) and can be adjusted and tensioned for graphic change-outs.

Pricing is per set of (2) wall mount arms. Hardware is powder-coated black and has 36" arms (max.) custom arm sizes available.



1.800.655.7311

472 Meadowland Drive Unit #5
South Burlington VT 05403
sales@polegear.com
www.polegear.com